

:hager

:hager

aptis+ Enclosure Range expansion

Dt : 03-09-2024

aptis+ enclosure

The new aptis+ enclosure is primarily designed for **residential applications**:



- Perfect Solution for residential buildings
- The rounded door edge is just one of the signature features that make the new aptis+ enclosures so distinctive.

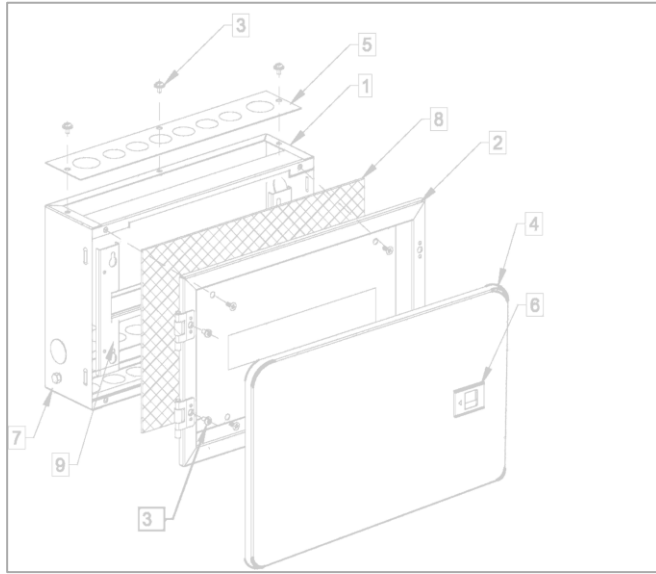
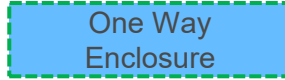


aptis+ enclosure

Phase 1



Phase 2



Complete Range for
Residential Building



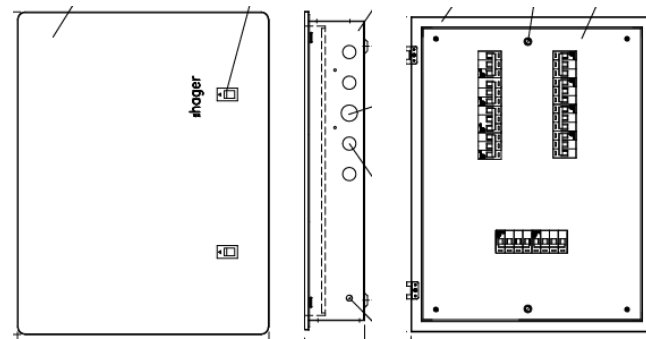
Range Expansion – aptis+ : VTPN DB

Technical features

Sr No	Specs – VTPN DB	
1	Standard Compliance	IS/IEC 61439
2	Range	4, 6, 8, 12, 16 way
3	Material & Material Thickness	As per GA drawing
4	Colour	RAL 9016 (Traffic white)
5	Gland plate	Screw based
6	Door Opening	120 degree
7	Integrated earthing on door	Yes
8	Gasket on door	Yes
9	Overlapping of DB door and DB frame	Yes
10	Neutral Terminal with IP20 cover – Brass	Yes
11	Separate packaging for door with polybag	Yes
12	Cement Spill protector	Yes
13	Anti wall insertion Marking	Yes
14	Cu bus bar	Yes

Cu Busbar Rating

- MCB i/c : 100A
- x160 incomer : 200A



Benefits

- IK09 for DB strength
- Flexibility of installation
 - Reversible door
 - 120 degree opening
- Reliability
 - Brass N & E link
 - Cement Spill Protection

Range Expansion – aptis+ : Phase Segregated DB (PSG 7 Seg)

Technical features

Sr No	Specs – PSG DB	
1	Standard Compliance	IS/IEC 61439
2	Range	4, 6, 8, 10, 12, 16 way
3	Material & Material Thickness	As per GA drawing
4	Colour	RAL 9016 (Traffic white)
5	Gland plate	Screw based
6	Door Opening	120 degree
7	Integrated earthing on door	Yes
8	Gasket on door	Yes
9	Overlapping of DB door and DB frame	Yes
10	Neutral Terminal with IP20 cover – Brass	Yes (04 numbers)
11	Separate packaging for door with polybag	Yes
12	Cement Spill protector	Yes
13	Anti wall insertion Marking	Yes
14	100A Cu bus bar	Yes



Benefits

- IK09 for DB strength
- Flexibility of installation
 - Reversible door
 - 120 degree opening
- Reliability
 - Brass N & E link

Range Expansion – aptis+ : Flexi DB

Technical features

Sr No	Specs – Flexi DB	
1	Standard Compliance	IS/IEC 61439
2	Range	28M(14x2), 42M(14x3), 40M(10x4), 56M(14x4), 64(16x4)
3	Material & Material Thickness	As per GA drawing
4	Colour	RAL 9016 (Traffic white)
5	Gland plate	Screw based
6	Door Opening	120 degree
7	Integrated earthing on door	Yes
8	Gasket on door	Yes
9	Overlapping of DB door and DB frame	Yes
10	Neutral Terminal with IP20 cover – Brass	Yes
11	Separate packaging for door with polybag	Yes
12	Cement Spill protector	Yes
13	Anti wall insertion Marking	Yes
14	Cu bus bar	Yes

Cu Busbar Rating
• 100A



Range Expansion – aptis+ : One way Enclosure & Accessories

Technical features

Sr No	Specs – One way Enclosure	
1	Standard Compliance	IS/IEC 61439
2	Range	2M, 4M, 6M, 8M (IP20)
3	Material & Material Thickness	As per GA drawing
4	Colour	RAL 9016 (Traffic white)
5	Gland plate	Screw based
7	Integrated earthing on door	Yes

Sr No	Accessories	
1	Cable End Box	SPN, TPN, Flexi, VTPN, PSG,
2	PPI Kit	For TPN DB to PPI DB conversion

aptis+ Product ordering Info

Sr No	Enclosure Family	Market Reference	Material Description	MRP (INR)
1	SPN	VYS04DN	SPN, mid, 4 way, IP43, DB	1,931
2	SPN	VYS06DN	SPN, mid, 6 way, IP43, DB	2,228
3	SPN	VYS08DN	SPN, mid, 8 way, IP43, DB	2,406
4	SPN	VYS12DN	SPN, mid, 12 way, IP43, DD DB	2,781
5	SPN	VYS16DN	SPN, mid, 16 way, IP43, DD DB	3,597
6	SPN	VYS18DN	SPN, mid, 18 way, IP43, DD DB	3,719
7	TPN	VYT04DHN	TPN, mid, 4 way, IP43, DB	4,738
8	TPN	VYT06DHN	TPN, mid, 6 way, IP43, DB	5,903
9	TPN	VYT08DHN	TPN, mid, 8 way, IP43, DB	7,084
10	TPN	VYT12DHN	TPN, mid, 12 way, IP43, DB	10,900
11	TPN	VYT16DHN	TPN, mid, 16 way, IP43, DB	13,669
12	Flexy	VYF214DN	Flexy, mid, 2R, 28M, IP43, DD	6,116
13	Flexy	VYF314DN	Flexy, mid, 3R, 42M, IP43, DD	7,331
14	Flexy	VYF410DN	Flexy, mid, 4R, 40M, IP43, DD	7,969
15	Flexy	VYF414DN	Flexy, mid, 4R, 56M, IP43, DD	8,572
16	Flexy	VYF416DN	Flexy, mid, 4R, 64M, IP43, DD	10,109
17	One way	VYM02CN	Box, mid, 2 way, IP30	706
18	One way	VYM04CN	Box, mid, 4 way, IP30	706
19	One way	VYM06CN	Box, mid, 6 way, IP30	1,159
20	One way	VYM08CN	Box, mid, 8 way, IP30	1,159

Sr No	Enclosure Family	Market Reference	Material Description	MRP (INR)
21	PSG 7 Seg	VYG04DLN	PSG TPN DB, mid, 4way, IP43, DD	12,669
22	PSG 7 Seg	VYG06DLN	PSG TPN DB, mid, 6way, IP43, DD	14,281
23	PSG 7 Seg	VYG08DLN	PSG TPN DB, mid, 8way, IP43, DD	15,931
24	PSG 7 Seg	VYG12DLN	PSG TPN DB, mid, 12way, IP43, DD	19,769
25	VTPN MCB i/c	VYV04DLN	VTPN, mid, 4 way, IP43,DD DB,MCB IC	11,684
26	VTPN MCB i/c	VYV06DLN	VTPN, mid, 6 way, IP43,DD DB,MCB IC	13,128
27	VTPN MCB i/c	VYV08DLN	VTPN, mid, 8 way, IP43,DD DB,MCB IC	15,231
28	VTPN MCB i/c	VYV12DLN	VTPN, mid,12 way,IP43, DD DB,MCB IC IC	20,650
29	VTPN MCB i/c	VYV16DLN	VTPN, mid,16 way, IP43,DD DB,MCB IC	23,722
30	VTPN MCCB i/c	VYV04DMN	VTPN, mid, 4 way,IP43,DD DB,h3 MCCB I/C x160	14,375
31	VTPN MCCB i/c	VYV06DMN	VTPN, mid, 6 way,IP43,DD DB, h3 MCCB I/C x160	15,941
32	VTPN MCCB i/c	VYV08DMN	VTPN, mid, 8 way,IP43,DD DB, h3 MCCB I/C x160	18,172
33	VTPN MCCB i/c	VYV12DMN	VTPN, mid, 12 way, IP43,DD DB,h3 MCCB I/C x160	23,838
34	VTPN MCCB i/c	VYV16DMN	VTPN, mid, 16 way, IP43,DD DB,h3 MCCB I/C x160	27,306
35	CEB flexy	VYF14EN	Cable end box, mid, flexy DB, 14M	1,319
36	CEB flexy	VYF16EN	Cable end box, mid, flexy DB, 16M	1,606
37	CEB PSG 7 seg	VYG04EN	Cable end box, PSG DB, mid, 4way, DD	1,850
38	CEB PSG 7 seg	VYG06EN	Cable end box, PSG DB, mid, 6way, DD	2,072
39	CEB PSG 7 seg	VYG08EN	Cable end box, PSG DB, mid, 8way, DD	2,303
40	CEB PSG 7 seg	VYG12EN	Cable end box, PSG DB, mid, 12way, DD	3,313

aptis+ Product ordering Info

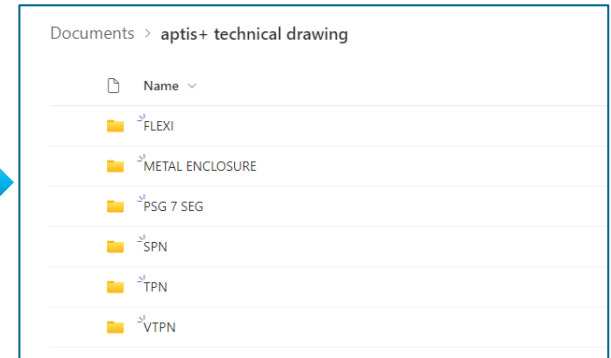
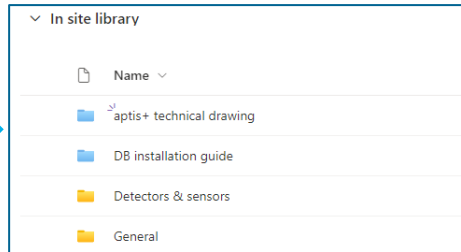
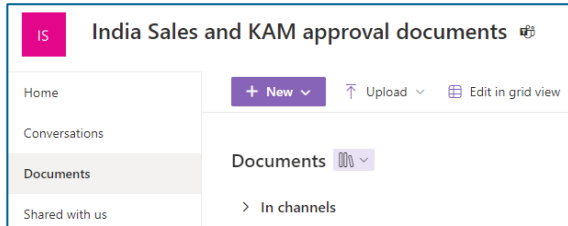
Sr No	Enclosure Family	Market Reference	Material Description	MRP (INR)
41	CEB SPN	VYS04EN	Cable end box, SPN, mid, 4 way, DD	806
42	CEB SPN	VYS06EN	Cable end box, SPN, mid, 6 way, DD	850
43	CEB SPN	VYS08EN	Cable end box, SPN, mid, 8 way, DD	944
44	CEB SPN	VYS12EN	Cable end box, SPN, mid, 12 way, DD	1,072
45	CEB SPN	VYS16EN	Cable end box, SPN, mid, 16 way, DD	1,513
46	CEB SPN	VYS18EN	Cable end box, SPN, mid, 18 way, DD	1,572
47	CEB TPN	VYT04EN	Cable end box, TPN, mid, 4 way, DD	1,381
48	CEB TPN	VYT06EN	Cable end box, TPN, mid, 6 way, DD	1,497
49	CEB TPN	VYT08EN	Cable end box, TPN, mid, 8 way, DD	2,631
50	CEB TPN	VYT12EN	Cable end box, TPN, mid, 12 way, DD	3,519
51	CEB TPN	VYT16EN	Cable end box, TPN, mid, 16 way, DD	3,519
52	CEB VTPN	VYV00EN	Cable end box,VTPN, mid, DD	3,866

aptis+ enclosure

Database for technical drawings

- All drawing are available in sharepoint folder
- Kindly follow bellow Path and link for accessing the GA drawings

- Link: [aptis+ technical drawing](#)



:hager

**Thank you
for your attention!**

